

LED signage lighting systems
Channel Letters

Tetra® PowerMAX HO



current
powered by GE

With all-new OptiLens™ X and groundbreaking energy efficiency

Tetra® PowerMAX HO — the remarkable 24V LED system designed for channel letters and single-sided cabinet signs delivers uniform light, installs easily and operates efficiently. **Tetra® PowerMAX HO** is IP66 and UL wet rated, which makes it more robust and reliable than ever, even under wet weather.

Powerful all-new OptiLens™ X

Tetra® PowerMAX HO features all-new **OptiLens™ X**, our patented technology that allows for an incredible 170° viewing angle. This exclusive technology redirects otherwise wasted light to the sign face, making sure your signs shine.

Best-in-class loading

The new 24V **Tetra® PowerMAX HO** load up to 64 feet (19.5 m) in the tied configuration or 64 modules of product per GEPS24-100U-NA power supply.

Improved stroke spacing and installation

The improved 24V **Tetra® PowerMAX HO** stroke spacing requires less product, thanks to the new **OptiLens™ X** wide beam angle and increased light output. **PowerMAX HO** comes with additional wire length between modules that can be released by cutting a tie wire, eliminating the need to make connections between rows when used in cabinet sign applications or multiple stroke channel letters.

Tetra® PowerMAX HO Features

- Wide 170° beam angle
- Efficacy: 150 lm/W
- 24 Volt DC, Class 2 (UL), Class III (IEC)
- UL Wet Rated & IP66
- 5-year limited warranty



Tetra® PowerMAX HO		
	Can Depth	Coverage
Large	6" (152mm)	17" (432mm)
	7" (178mm)	19" (483mm)
	≥ 8" (203mm)	21" (533mm)

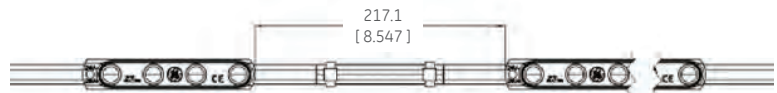
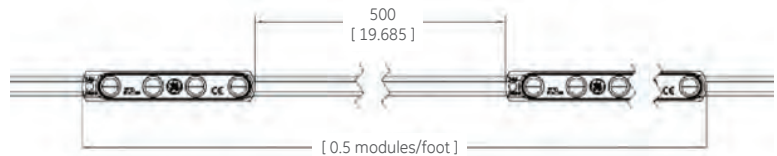
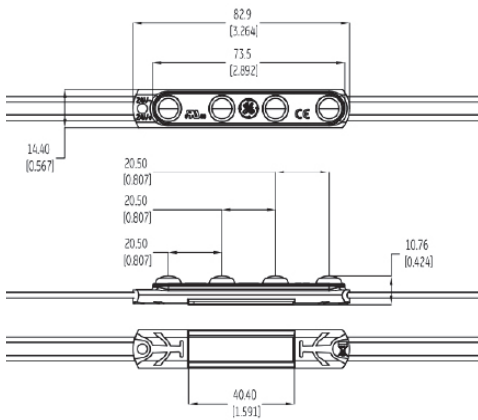
Total GE Reliability

To ensure every Tetra® PowerMAX HO installation will operate brilliantly for years, we perform the most extensive, stringent testing in the industry. We test the LED, water and dust ingress protection, sub-system and complete system at our in-house and independent laboratories around the world. Validation of our designs, components, products and processes include high temperature, high humidity and accelerated life testing.

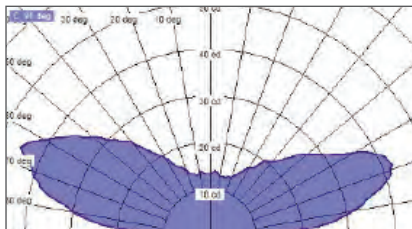


Mechanical Outline

Dimensions in (inches). Metric equivalent mm.



Viewing Angle



Components

SKU	Description	Details	Color	Order unit	Pkg. Quantity	Additional Information Stretched Wire
93067977	GEPMH2471-W1CS1	Tetra® PowerMAX HO 24V 7100K	White	Box	5 Strips/Box	35 modules/strip (70 ft/strip)
93118731	GEPMH2465-W1CS1	Tetra® PowerMAX HO 24V 6500K	Warm White	Box	5 Strips/Box	35 modules/strip (70 ft/strip)
93067978	GEPMH2450-W1CS1	Tetra® PowerMAX HO 24V 5000K	Warm White	Box	5 Strips/Box	35 modules/strip (70 ft/strip)
93067979	GEPMH2441-W1CS1	Tetra® PowerMAX HO 24V 4100K	Warm White	Box	5 Strips/Box	35 modules/strip (70 ft/strip)
93067980	GEPMH2432-W1CS1	Tetra® PowerMAX HO 24V 3200K	Warm White	Box	5 Strips/Box	35 modules/strip (70 ft/strip)

Technical Specifications

Description	Wavelength/ CCT	Typical Brightness (Lumens/module)	Typical Brightness Tied Wire (Lumen/ft (Lumen/m))	Energy Consumption (Strip/Module)	Energy Consumption (System/Module)	Power Supply Loading Tied Wire	Viewing Angle
GEPMH2471-W1CS1	7100K	180	180 (590)	1.2 W/module	1.41 W/module	64 ft (19.5 m) /100WPS	170
GEPMH2465-W1CS1	6500K	180	180 (590)	1.2 W/module	1.41 W/module	64 ft (19.5 m) /100WPS	170
GEPMH2450-W1CS1	5000K	180	180 (590)	1.2 W/module	1.41 W/module	64 ft (19.5 m) /100WPS	170
GEPMH2441-W1CS1	4100K	180	180 (590)	1.2 W/module	1.41 W/module	64 ft (19.5 m) /100WPS	170
GEPMH2432-W1CS1	3200K	160	160 (525)	1.2 W/module	1.41 W/module	64 ft (19.5 m) /100WPS	170

Technical Specifications

Specification Item	Specification (Tied Wire)	Specification (Stretched Wire)			
LEDs/Module	4	4			
LEDs/ft (LEDs/m)	4 (13.1)	2 (6.6)			
Modules/ ft. (Modules/m)	1.0 (3.3)	0.5 (1.6)			
Cutting Resolution	Cut on wire between every module				
Power Supply	GEPS24-25-NA Input: 100-305VAC; Output: 24VDC GEPS24D-80U Input: 90-305VAC; Output: 24VDC GEPS24-100U Input: 108-305VAC; Output: 24VDC GEPS24-180U Input: 90-305VAC; Output: 24VDC GEPS24-300U Input: 108-305VAC; Output: 24VDC				
Maximum Supply Wire Limits	18 AWG/0.82 mm² Supply Wire	16 AWG/1.31 mm² Supply Wire	14 AWG/2.08 mm² Supply Wire	12 AWG/3.31 mm² Supply Wire	
	25W Power Supply	120 ft./36.6 m	-	-	-
	80W Power Supply	20 ft./6.1 m	25 ft./7.6 m	35 ft./10.6 m	40 ft./12.1 m
	100W Power Supply	20 ft./6.1 m	25 ft./7.6 m	35 ft./10.6 m	40 ft./12.1 m
	180W Power Supply	20 ft./6.1 m	25 ft./7.6 m	35 ft./10.6 m	40 ft./12.1 m
300W Power Supply	20 ft./6.1 m	25 ft./7.6 m	35 ft./10.6 m	40 ft./12.1 m	
Operating Environment	-40 °C to +60 °C				
Module Dimensions (h x l x w)	0.42 in x 3.26 in x 0.57 in (10.76 mm x 82.9 mm x 14.4 mm)				
Warranty	GE offers a limited system warranty of up to five (5) years				
System Certifications	UL Recognized (C-US) #E219167, UL Classified (C-US) #E229508, CE, ROHS • IP66 rated: for dry, damp or wet location.				



GE and the GE Monogram are trademarks of the General Electric Company and are used under license. Information provided is subject to change without notice. All values are design or typical values when measured under laboratory conditions, and GE makes no warranty or guarantee, express or implied, that such performance will be obtained under end-use conditions. © 2019 Current, powered by GE

www.currentbyge.com | SIGN 246 (Rev 10/28/19)

